

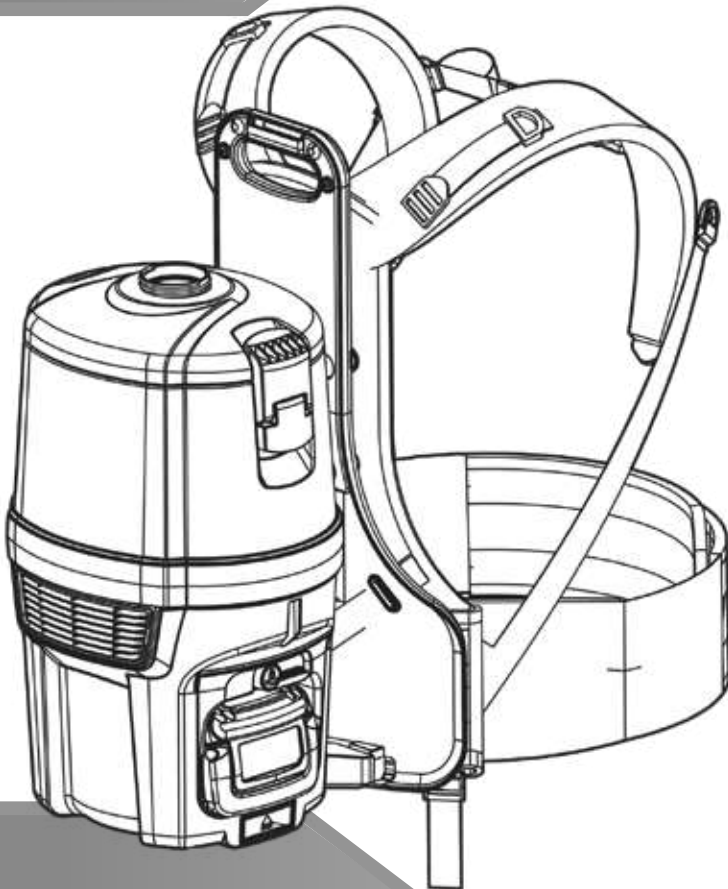
RSB150 NX
RSB150H NX (HEPA)

Numatic

numatic.com



NUMATIC RUCKSACK VACUUM - BATTERY POWERED



Original Instructions

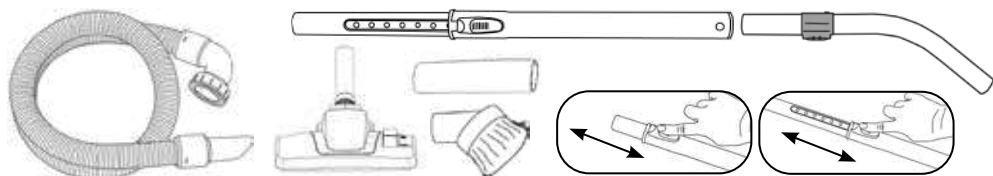
CAUTION, Read the Instructions before using the machine.



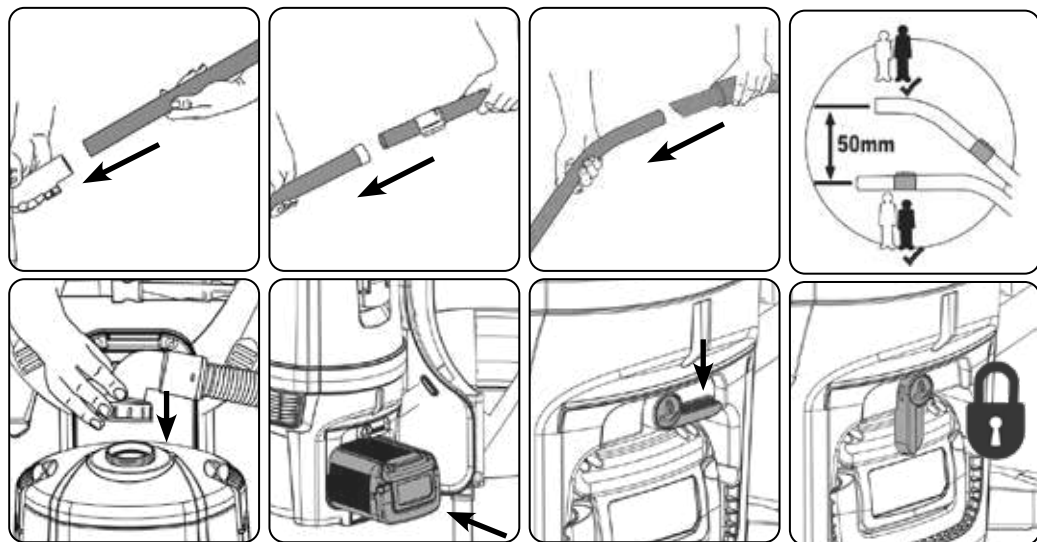
Kit AA30E (280)



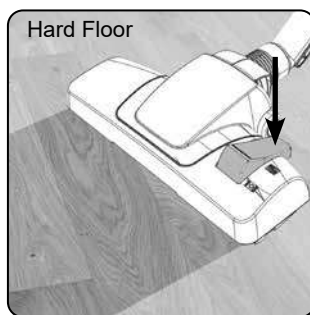
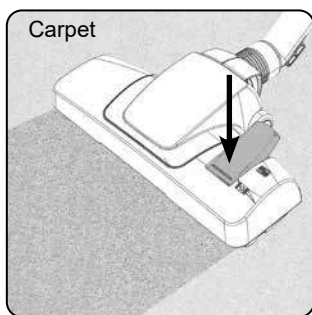
Kit AAT30E (270)



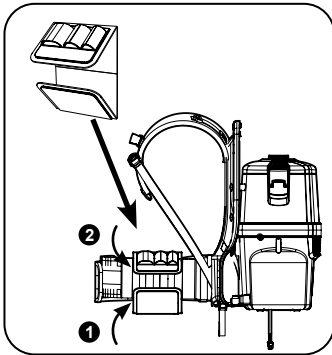
Assembly



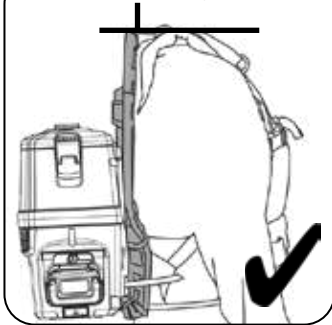
Floor tool adjustment



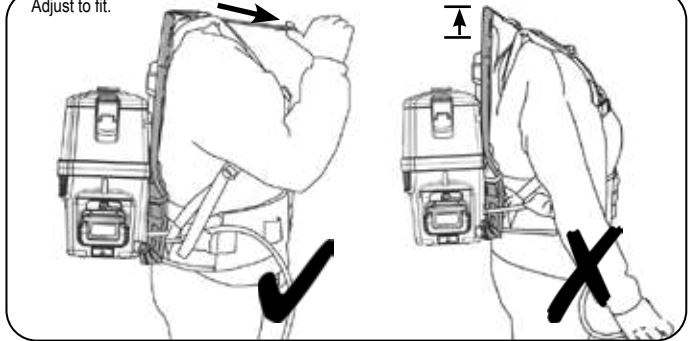
Using the machine



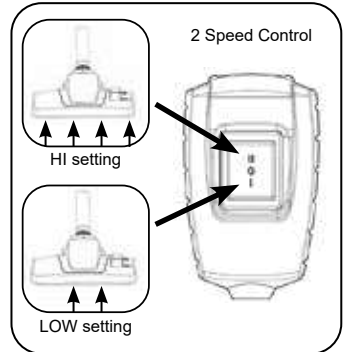
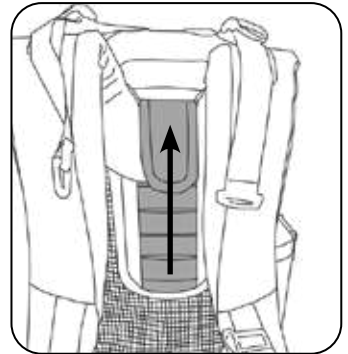
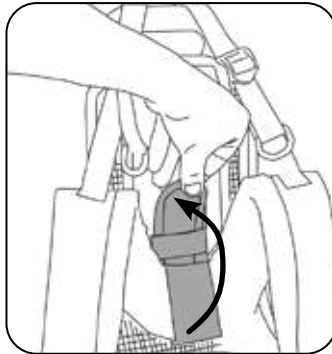
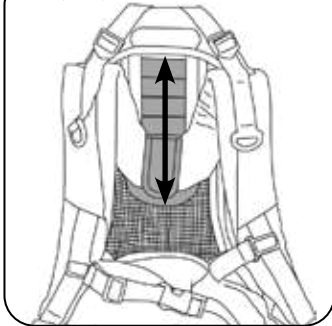
Ensure harness is straight and level.



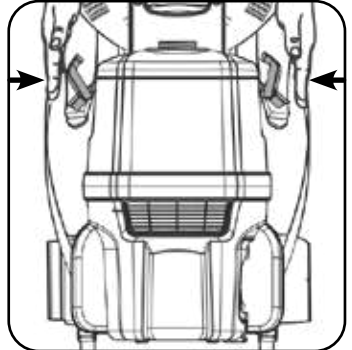
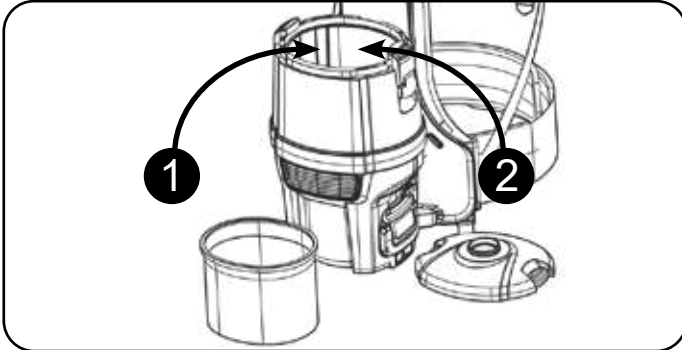
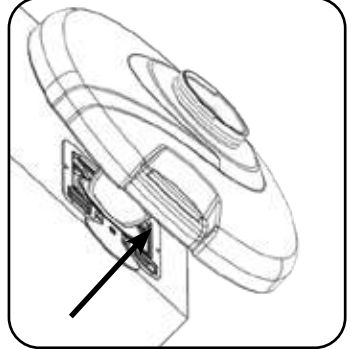
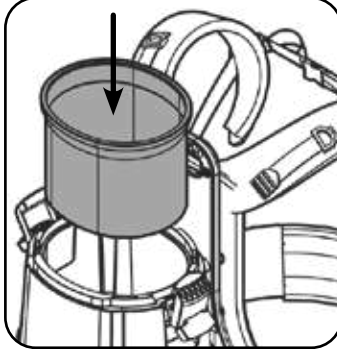
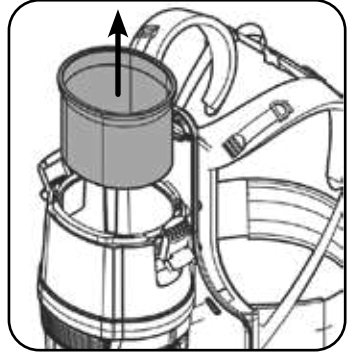
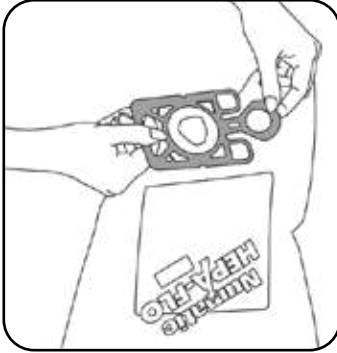
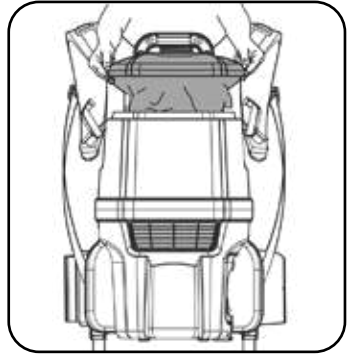
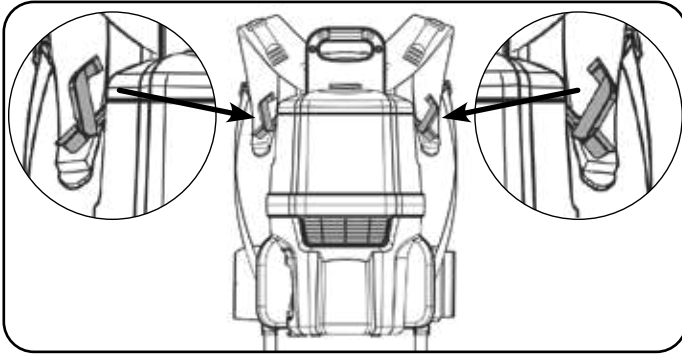
Adjust to fit.



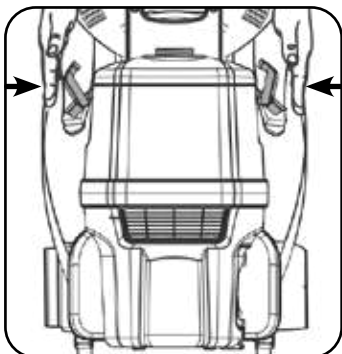
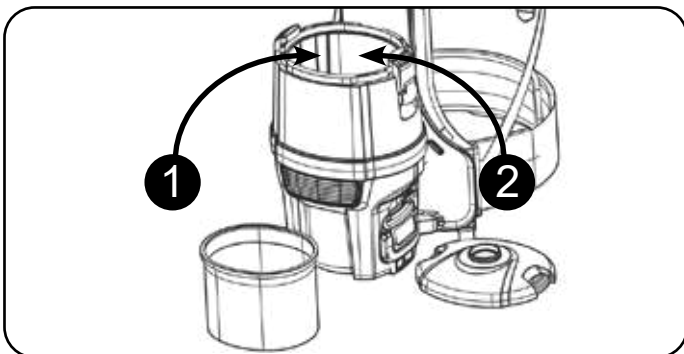
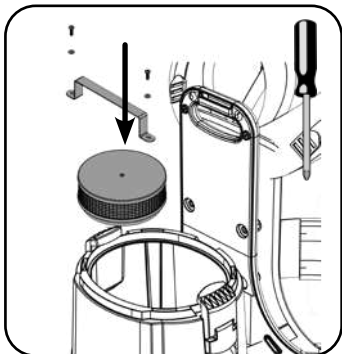
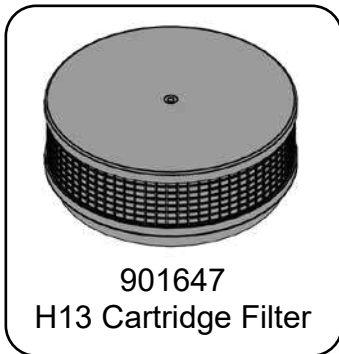
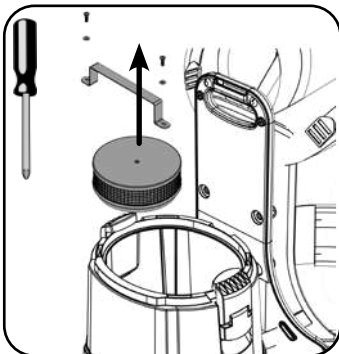
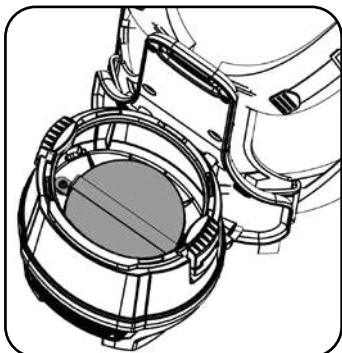
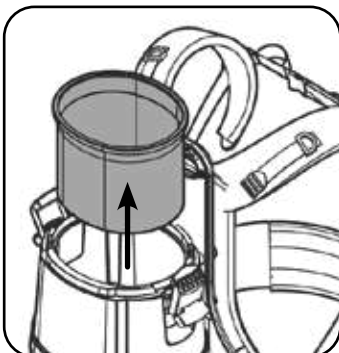
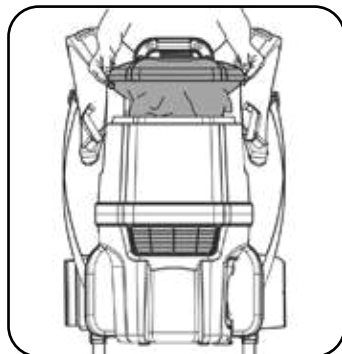
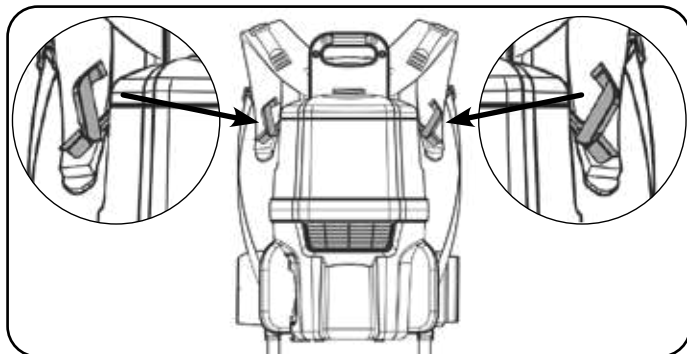
Adjusting harness height



Cleaning your machine

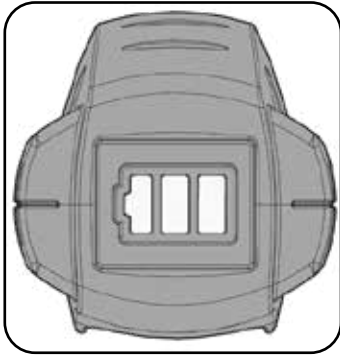


Replacing the Cartridge Filter



Charging your battery

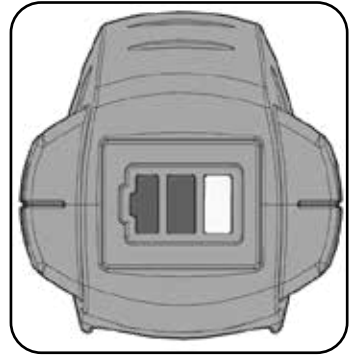
For information relating to the operation and charging of your battery please refer to the battery and charger original operating instructions



Cleaning time

HI = 49 mins

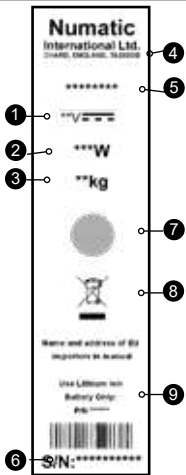
LO = 83 mins



Data

| | Voltage | Power Rating | Airflow | Run time | Size |
|--|---|---------------|---|---|--------------------------|
| RSB | 36V (DC) | 350 W / 200 W | HI = 24.0 L/sec LO = 19.9 L/sec | *HI = 49 Mins *LO = 83 Mins | 570 mm x 330 mm x 330 mm |
| RSB (HEPA) | | | HI = 22.7 L/sec LO = 18.0 L/sec | | |
| | Weight | Dust bag | Capacity | Charge time | |
| RSB | 8.2 kg | NVM-1AH | 3.0 L | *1hr to 80% charge – fast charger *2hrs to 100% charge – fast charger *4.5hrs to 100% charge – slow charger | |
| RSB (HEPA) | 8.6 kg | | 2.0 L | | |
| High Power Mode | | | Low Power Mode | | |
| RSB | Sound Pressure (LpA): 63.0dB(A) Uncertainty (KpA): 0.5dB | | Sound Pressure (LpA): 62.0dB(A) Uncertainty (KpA): 0.5dB | | |
| RSB (HEPA) | Sound Pressure (LpA): 66.5dB(A) Uncertainty (KpA): 0.5dB | | Sound Pressure (LpA): 64.0dB(A) Uncertainty (KpA): 0.5dB | | |
| *Run and Recharge times may vary dependent on ambient temperature. | | | | | |

(GB) About your machine



Rating Label

| | |
|---|------------------------------|
| 1 | Voltage / Direct Current |
| 2 | Rated input power |
| 3 | Weight (ready to work) |
| 4 | Company name & address |
| 5 | Model |
| 6 | Machine yr/wk Serial number |
| 7 | Approval Mark |
| 8 | WEEE Logo |
| 9 | Use Lithium-Ion Battery Only |

WEEE Legislation (Waste, Electrical and Electronic Equipment)

Vacuum cleaner, accessories and packaging should be sorted for environmentally - friendly recycling.

(Only for EU Countries) Do not dispose of vacuum cleaner into household waste! According to the European Directive 2012/19/EU on waste electrical and electronic equipment and its incorporation into national law.

Vacuum cleaners that are no longer suitable for use must be separately collected and sent for recovery in an environmentally - friendly manner.



PPE (personal protective equipment) That may be required for certain operations.

| | | | | |
|--------------------|---------------------|-----------------------------|---------------|--|
| | | | | |
| Ear Protection | Safety Footwear | Head Protection | Safety Gloves | |
| | | | | |
| Eye Protection | Protective Clothing | Dust / Allergens Protection | Hi Viz Jacket | |
| Caution Floor Sign | | | | |

Note: A risk assessment should be conducted to determine which PPE should be worn.

Failure to rectify the problem or in the event of a breakdown contact your Numatic dealer or the Numatic Technical helpline +44 (0)1460 269268

Daily

- Keep the machine clean, including hoses and tubes.
- Ensure the bag and filter are fitted.
- Regularly examine the charger.
- Check dust bag frequently.
- Check filters are clean.

Weekly - as daily and:-

- Check for any worn or damaged parts and replace immediately.
- Do not steam clean or pressure wash.

Batteries

- Always recharge the batteries after use.

Safety Critical Components

Multi-Regional Charger (100-240V ~ 50/60 Hz)

Lithium- Ion Battery 8.1 Ah

MAINTENANCE

Original Instructions. Read Manual before use.



Warning

Read the instruction manual before using the machine.

Operators shall be adequately instructed on the use of these machines, as with all electrical equipment, care and attention must be exercised at all times during use, you must also make certain that routine and preventative maintenance is carried out periodically to ensure safe operation.

Failure to carry out maintenance as necessary, including the replacement of parts to the correct standard could render this equipment unsafe and the manufacturer can accept no responsibility in this respect.

This machine is for DRY USE only.

You must remove the battery from the machine BEFORE cleaning or maintenance and when replacing parts or converting the machine to another function.

This appliance is intended to be assembled, cleaned and maintained by an adult.

This machine is not suitable for the collection of biological hazards, hazardous or explosive dusts.

Contact your local distributor if you require a machine capable of performing these tasks.

This machine is not intended for use by persons (including children) with reduced physical, sensory or mental capabilities, or lack of experience and knowledge.

Children should be supervised to ensure that they do not play with the appliance.

This machine is not a toy; children shall not play with this machine.

Caution

This machine must not be stored outside, or used in wet environments, or to collect wet materials.

The vacuum cleaner should be stored in a dry place and is for indoor use only.

You must ensure that the filtration system fitted to the machine is suitable for the material being collected.

Note:

The primary use for this machine is commercial, for example in hotels, schools, hospitals, factories, shops and offices.

This product complies with the requirements of clause 20 of EN/IEC 60335-2-69 Stability and Mechanical Hazards.

This vacuum cleaner is fitted with a thermal protection device.

If the vacuum cleaner has a blockage, remove the battery and inspect the floor tool, tubes and hose for debris.

If the floor tool, tubes and hose are clear, replace the dust bag and clean the filter.

The vacuum cleaner should be inspected after use for damage.

The vacuum cleaner should be stored in a dry place.

Do

- Keep your machine clean including hoses and tubes.
- Change dust bag frequently.
- Keep filters clean.
- Keep diffuser filter (where fitted) clean.
- Use filter bags, they will enhance performance and help keep machine clean.
- Use a Numatic Original filter bag under fine dust conditions.
- Keep hoses and tubes clear.
- Replace any worn or damaged parts immediately.

Don't

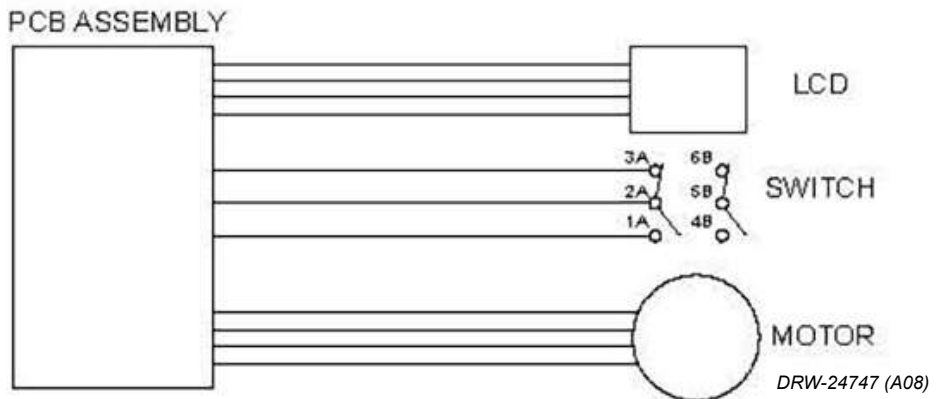
- Use to suck up hot ashes or lighted cigarette ends.
- Use steam cleaners or pressure washers to clean the machine or use in the rain.
- Immerse in water for cleaning.
- Attempt machine maintenance or cleaning unless battery has been removed from the machine.
- Do not use in wet environments or to collect wet materials.

Under any circumstances place foreign objects including (but not limited to) air fresheners, air freshener capsules or scented beads of any type into the top filter of the machine. Doing so can be dangerous and risk damage to the machine and may invalidate the machine warranty.

Replacement parts

| Filter | |
|-------------------|---|
| 910915 / 910945 | Tritex filter |
| 901647 | H13 Cartridge Filter |
| HepaFlo dust bags | |
| 604011 | NVM-1AH Dust bags (Pack of 10) |
| Battery | |
| 913686 | 37 V Battery |
| Charger | |
| 607846 | Standard battery charger dock & mains lead (UK) |
| Fast charger | |
| 911334 | Fast battery charger dock (UK) |
| 912365 | Mains charge lead (UK) |

Schematic diagram



Lithium-Ion Battery Warranty

- a. Batteries are warranted (3 Years) providing all battery care rules are followed
 - b. To claim warranty the following details must be supplied
 - i. Serial number of the machine
 - ii. Battery date code
 - iii. Date purchased
 - iv. Proof of Purchase
 - v. Maintenance history and charging regime
- Failure to use the correct Numatic charger will void your warranty.

Numatic International Warranty

Numatic International Limited warrant to the original purchaser that its products are free of defects in both material or workmanship for the period shown below:-

| | |
|--|---------------------|
| Homecare and Cleancare Vacuum cleaners..... | 2 Years |
| Rotary Floor Machines..... | 2 Years |
| Twintec Auto Scrubber Dryer..... | 1 Year |
| Vario Ride-On Scrubber Dryer..... | 1 Year / 1500 hours |
| Mopping, Compacts, Combi and Servocare Products..... | 1 Year |
| Individual Accessories and Spare Parts..... | 6 Months |

Note: This warranty expressly excludes consumable parts such as carbon brushes, floor brushes, mops, batteries etc, that are considered replaceable from time to time during the normal working life of the machine.

Using non Numatic dustbags can be detrimental to both machine performance and life and may invalidate the Warranty.

- A. The warranty period commences from the date the goods are purchased.*
- B. All warranty claims must be processed through the Dealer from whom the equipment was purchased. The Dealer will co-operate with the purchaser throughout the warranty claims procedure and will arrange any necessary repairs using genuine Numatic parts.*
- C. If the original Dealer is no longer able to fulfil his obligations please contact Numatic International Limited with full details of the claim and proof of purchase so that this may be processed without delay.*
- D. Any warranty claim can only relate to the specific part that is proven to be at fault and for which a replacement will be supplied but cannot be extended to constitute a claim against the complete machine.*
- E. Numatic International will supply the Dealer with any warranty parts required, subject to the claim being validated, after return of the faulty items in accordance with Numatic International Limited's General Conditions of Sale.*
- F. Claims will not be accepted if they are the result of fair wear and tear, misuse or abuse of any kind.*
- G. No replacement will be given unless the appropriate evidence of the validity of the claim has been provided to the satisfaction of Numatic International Limited.*
- H. Numatic International Limited reserve the right to charge for any unnecessary work carried out as a result of an invalid claim.*
- I. No variation to this warranty may be made or implied by any member of Numatic International Limited or its Dealers unless such variation is in writing and authorised by the Company*

Numatic

Numatic International Limited. Chard, Somerset, TA20 2GB

Telephone: 01460 68600 Fax: 01460 68458

© Numatic International Limited

Numatic

numatic.com

Numatic International Limited. Chard, Somerset TA20 2GB ENGLAND
Tel: 01460 68600 www.numatic.co.uk

Numatic International GmbH. Fränkische Straße 15–19. D-30455 Hannover,
DEUTSCHLAND
Tel: 05 11 98 42 16 0 www.numatic.de

Numatic International SAS. 13 / 17 rue du Valengelier. EAE La Tuilerie – 77500 CHELLES,
FRANCE Tel: 01 64 72 61 61 www.numatic.fr

Numatic International BV. Vennootsweg 15, 2404 CG, Alphen aan den Rijn, NEDERLAND
Tel: 0172 467 999 www.numatic.nl

Numatic International (Pty.) Ltd. 16th & Pharmaceutical Roads, Midrand, Gauteng,
SOUTH AFRICA 1685 Tel: 0861 686 284 www.numatic.co.za

Numatic International Schweiz AG. Sihlbruggstrasse 3A, 6340 Baar. SCHWEIZ
Tel: 0041 (0) 41 76 80 76 - 0 www.numatic.ch

Numatic International ULDA. Rua da Boa Viagem, 177. 4470.210 Maia. PORTUGAL
Tel: +351 220 047 700 www.numatic.pt

Numatic International SLU. C/ La Forja, 41, 08840 Viladecans. (Barcelona), SPAIN
Tel: +34 93 647 22 22 www.numatic.es

Numatic International DENMARK. Fränkische Straße 15–19. D-30455 Hannover,
DEUTSCHLAND Tel: 05 11 98 42 16 0 www.numatic-online.dk

Specification subject to change without prior notice
www.numatic.com © Numatic International Limited